

H&S

PARTS BOOK

S1150 SPREADER



Revision #00
Starting Ser #511059

Part #72937
HSMFG0216

2608 S. HUME AVE. , MARSHFIELD, WI 54449
(715) 387-3414 FAX (715) 384-5463
www.hsmfgco.com

CONTENTS

Instructions for Ordering Parts	1
Figure 1 - Main Frame and Component Parts	2-5
Figure 2 - Optional Rear Pan	6
Parts Notes	7-8

INSTRUCTIONS FOR ORDERING PARTS

All service parts should be ordered through your authorized H&S dealer. They will be able to give you faster service if you will provide them with the following

1. Model & Serial number is located on the right side frame behind the transport wheel.
2. All reference to left or right apply to the machine as viewed from the rear.
3. Parts should not be ordered from illustration only. Please order by complete part number.
4. If your dealer has to order parts - give shipping instructions:

VIA truck - large pieces (please specify local truck lines)

VIA United Parcel Service (include full address)

H&S MFG. CO. INC.	
MARSHFIELD, WIS.	
MOD. NO.	<input type="text"/>
SER. NO.	<input type="text"/>
DESCR.	<input type="text"/>

PLEASE RECORD NUMBERS FOR YOUR UNIT FOR QUICK REFERENCE

ABOUT IMPROVEMENTS

H&S IS CONTINUALLY STRIVING TO IMPROVE IT'S PRODUCTS

We must therefore, reserve the right to make improvements or changes whenever it becomes practical to do so without incurring any obligation to make changes or additions to the equipment previously sold.

FIGURE 1
MAIN FRAME AND COMPONENT PARTS

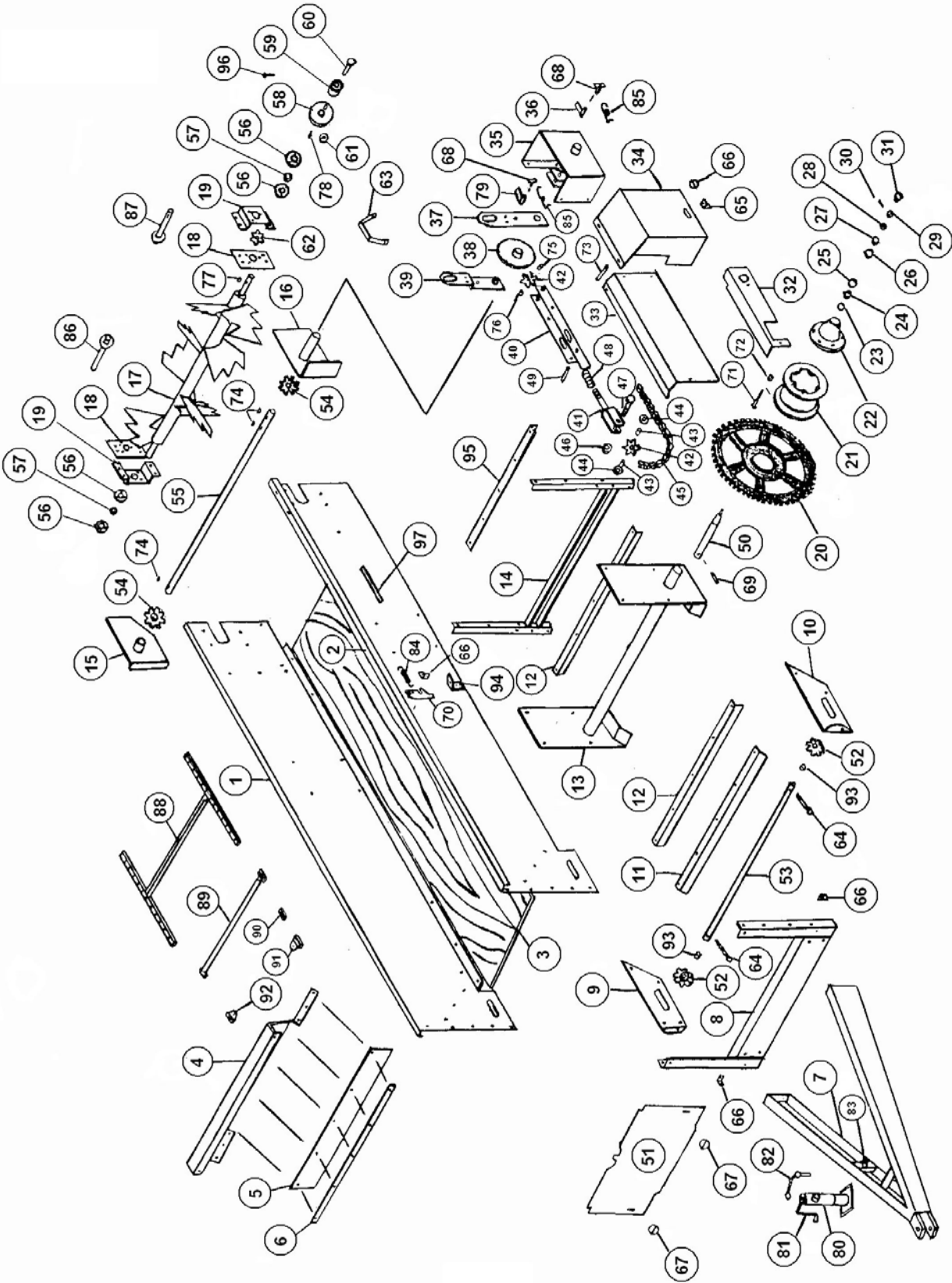


FIGURE 1

MAIN FRAME AND COMPONENT PARTS

<u>ITEM</u>	<u>PART#</u>	<u>DESCRIPTION</u>
1	5N2	RH TUB SIDE
2	5N1	LH TUB SIDE
3	5N70	FLOOR
4	5N5	FRONT PANEL
5	5N45	FRONT SEAL
6	5N44	FRONT SEAL BAND
7	5N6	POLE ASSEMBLY
8	5N10	FRONT SUPPORT
9	5N8	APRON CHAIN TIGHTENER RH
10	5N9	APRON CHAIN TIGHTENER LH
11	5N7	FRONT SHAFT COVER
12	5N4	FLOOR BRACE
13	5N15	AXLE ASSEMBLY
14	5N3	REAR SUPPORT
15	5N11	RH REAR APRON BRACKET
16	5N12	LH REAR APRON BRACKET
17	5N18	BEATER
18	5N49	BEATER MOUNT SEAL
19	5N16	BEATER BRACKET
20	5N40	SPROCKET 41T
21	5N71	HUB DRUM
22	5N72	WHEEL HUB
23	BFR57	SEAL
24	17G145	TAPERED ROLLER BEARING, 1.249 BORE
25	17G146	OUTER RACE, 2.33 OD, HUB 888
26	BFR61	OUTER RACE
27	BFR62	OUTER BEARING
28	YWFL28010	WASHER, FLAT, SAE 7/8
29	YNSL24010	HEX NUT, SLOTTED, 3/4"-16
30	YPCT05010	COTTER PIN, 5/32" X 1-1/2"
31	BFR66	HUB CAP
32	5N39	ROTARY SHIELD
33	5N33	STATIONARY SHIELD
34	5N32	REAR SHIELD
35	5N17	LH APRON MECHANISM COVER
36	5N20	HOLDING DOG W/ STRAIGHT ZERK
37	5N13	RECIPROCATOR FACE
38	5N21	RATCHET GEAR
39	5N14	RECIPROCATING ARM
40	5N28	PIVOT ARM
41	5N27	IDLER SPRING BRACKET
42	5N56	IDLER SPROCKET
43	5N31	SLIDING IDLER SPACER
44	YWFL24005	WASHER, FLAT, 3/4" USS
45	5N57	CHAIN
46	YNNJ24005	HEX NUT, NYLON JAM LOCKNUT, 3/4"-10
47	YBHH24055	BOLT, 3/4" X 3-1/2" GR. 5
48	S109	SPRING
49	5N34	PIVOT ARM SPACER
50	5N61	SPINDLE

FIGURE 1

MAIN FRAME AND COMPONENT PARTS

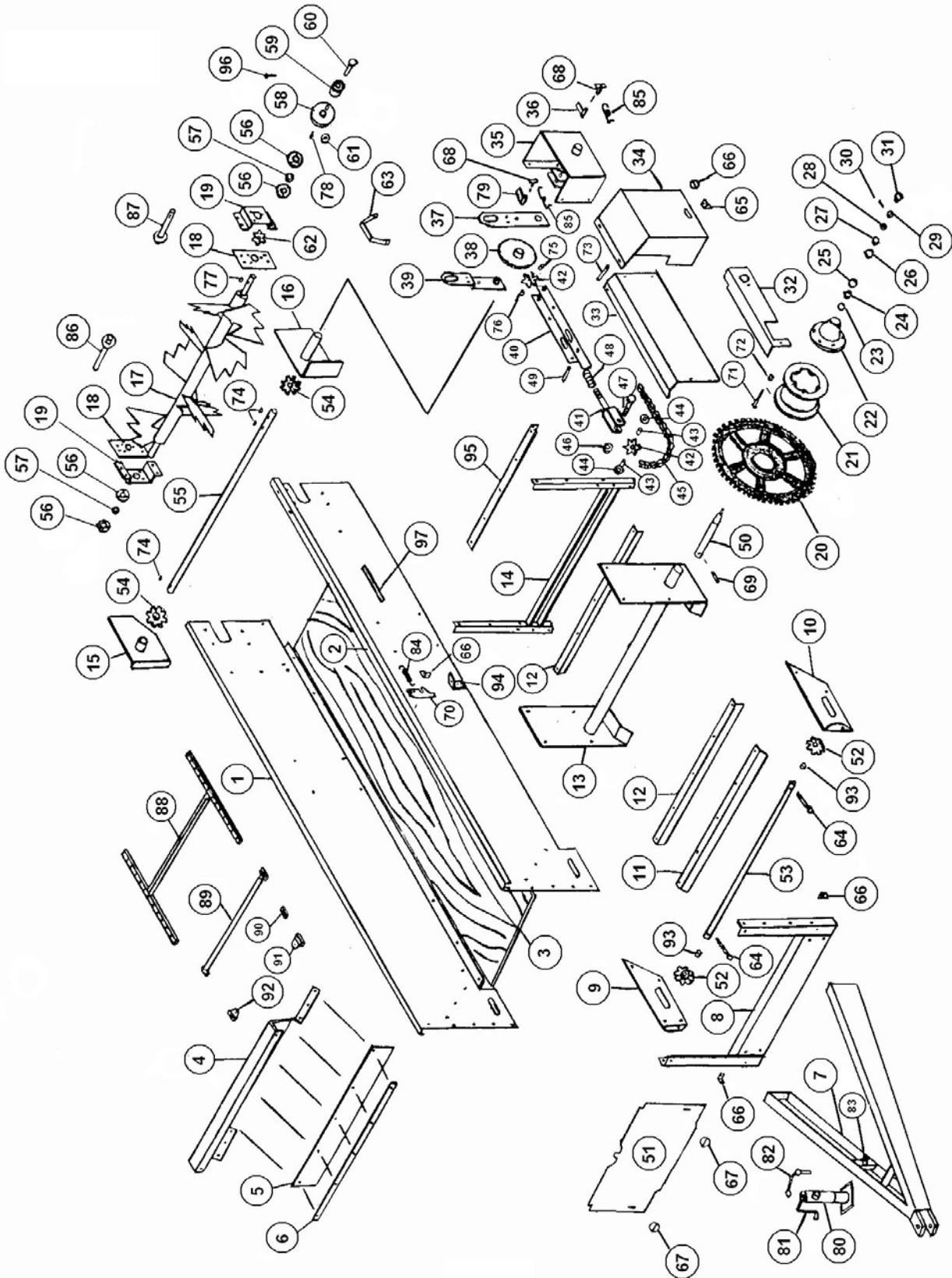


FIGURE 1

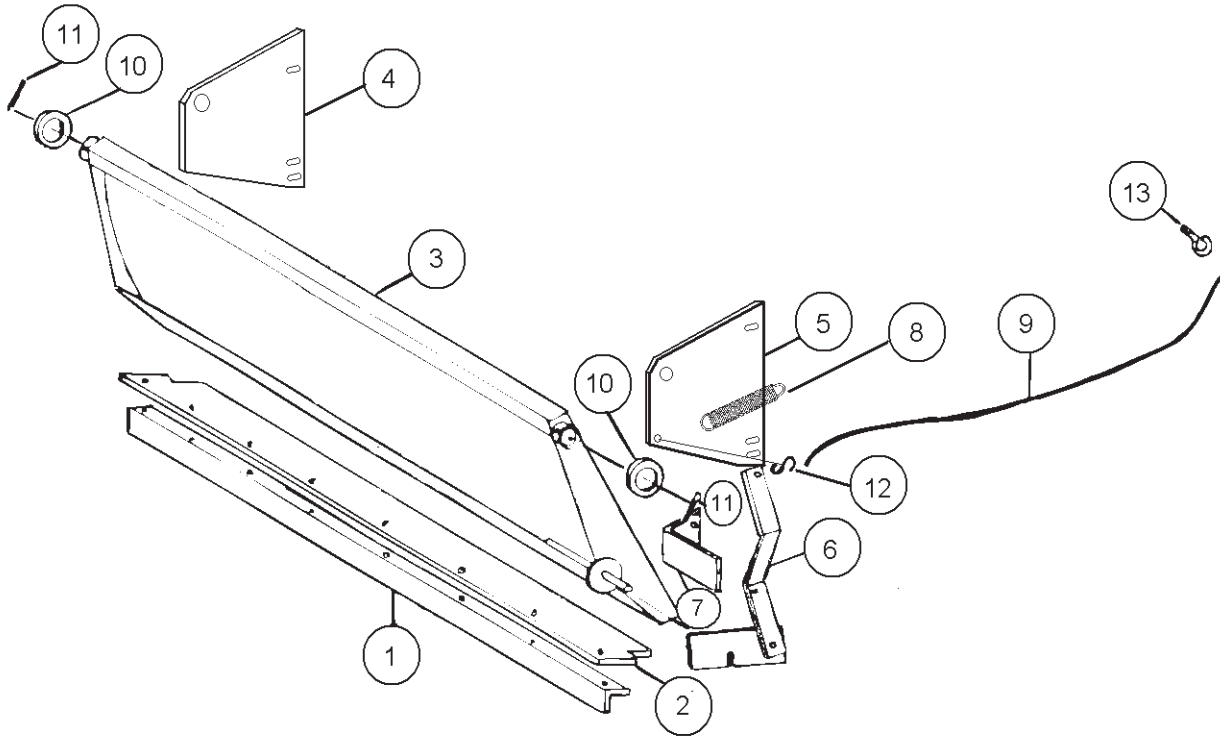
MAIN FRAME AND COMPONENT PARTS

<u>ITEM</u>	<u>PART#</u>	<u>DESCRIPTION</u>
51	5N54	FRONT SHIELD
52	L10R20	APRON CHAIN SPROCKET
53	5N22	APRON FRONT SHAFT
54	5N42	APRON DRIVE SPROCKET
55	5N25	APRON DRIVE SHAFT
56	4C7	FLANGE
57	4C8	BEARING WITH LOCK COLLAR
58	5N23	BEATER CAM HUB
59	T66	CAM BEARING
60	YBHH20035	BOLT, 5/8" X 2-1/2" GR. 5
61	YNSF20005	NUT, FLG, 5/8-11, LKSF, CH, ZC
62	5N76	BEATER SPROCKET
63	5N50	BEATER MOUNT RE-ENFORCEMENT
64	YBHH16190	BOLT, 1/2 X 9-1/2, 6-3/4 THREAD LENGTH
65	5N53	BACK SHIELD ANGLE
66	R26	FRONT SHIELD ANGLE
67	S122	LANYARD, CLIP PIN CABLE
68	5N26	DOG PIN
69	YBHH12120	BOLT, 3/8" X 3" GR. 5
70	5N35	LATCH
71	YBSD16005	STUD BOLT, 1/2"-20 UNF X 1-7/8" (3/8" SHOULDER)
72	YNWL16005	WHEEL NUT, 1/2"-20 UNF
73	5N36	SHIELD SPACER
74	G12	KEY 5/16" X 1"
75	5N29	OUTSIDE BUSHING
76	5N30	INSIDE BUSHING
77	5B10	KEY 1/4" X 1"
78	S135	KEY
79	5N51	DRIVE DOG W/ 45 DEGREE ZERK
80	5N77	JACK
81	5N78	JACK HANDLE
82	12N117	JACK PIN & CHAIN
83	12N120	JACK MOUNT
84	12R3	SPRING
85	23N186	DOG SPRING
86	5N58	RH BEATER STUB SHAFT
87	5N59	LH BEATER STUB SHAFT
88	5N47	APRON CHAIN (50 BU. 62H/80 BU. 67H)
89	5N48	SLAT W/ ATTACHMENT LINK
90	L10R33	CONNECTOR LINK 62H/67H
91	L10R37	ATTACHMENT LINK LH 62H/67H
92	L10R38	ATTACHMENT LINK RH 62H/67H
93	5N24	FRONT APRON SHAFT SPACER
94	ST33	ANGLE
95	5N69	DRIVE SHAFT COVER
96	YBHH10080	BOLT, 5/16" X 2-1/2" GR. 5
97	5N73	EDGE GUARD 1/8"
*	5N46	TIRE-TRACTOR LUG
*	5N63	WHEEL 15 X 6
*	S522	MANUAL HOLDER

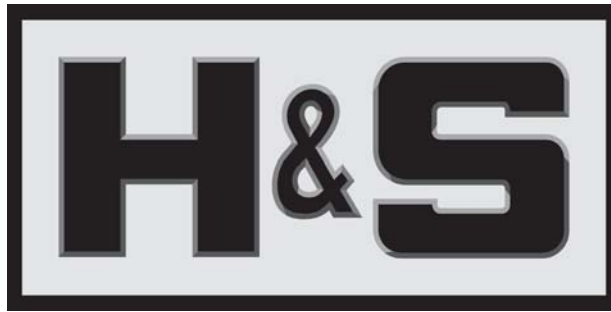
NOTE: * MEANS NOT SHOWN

FIGURE 2

OPTIONAL REAR PAN



ITEM	PART#	DESCRIPTION
1	5N64	PAN ANGLE
2	5N65	PAN RUBBER
3	5N66	PAN
4	80N2	LH PAN PLATE
5	80N3	RH PAN PLATE
6	5N67	PAN HANDLE
7	80N82	PAN HANDLE STOP
8	R27	PAN HANDLE SPRING
9	80N6	TRIP ROPE
10	R3	PAN SPACER
11	YPCT06020	COTTER PIN, 3/16" X 2"
12	R31	S HOOK
13	YBTE12005	TURNTD EYE BOLT, 3/8" X 1"



**H&S Manufacturing products are approved for the
FEMA SEAL OF QUALITY**

**P.O. BOX 768, MARSHFIELD, WI 54449
(715) 387-3414 FAX (715) 384-5463
www.hsmfgco.com**